

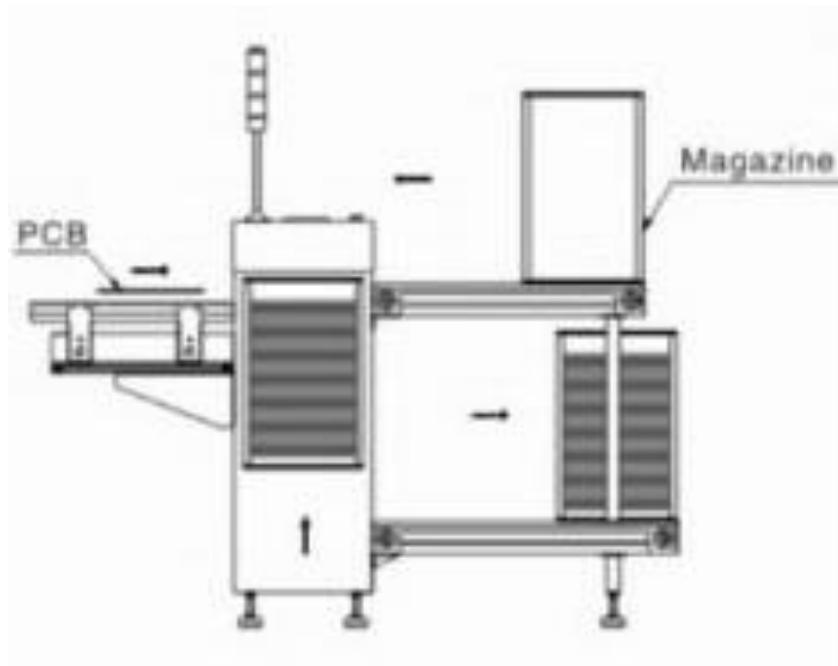
# *Alpha 1 Technologies*

## **Magazine Unloader**



### **Machine Highlights**

- Designed for easy maintenance
- Available in three sizes
- Simple HMI interface
- PLC Controlled
- Standard SMEMA



### Process Flow

### Alpha 1 Magazine Unloader

Model	HY-250ULD	HY-330ULD	HY-390ULD
Elevator Dimension (L x W x H)	1700 x 780 x 1200mm	1900 x 860 x 1200mm	2200 x 920 x 1200mm
	66.9" x 30.7" x 47.2"	74.8" x 33.9" x 47.2"	86.6" x 36.2" x 47.2"
Buffer Dimension (L x W x H)	355 x 320 x 565mm	460 x 400 x 565mm	535 x 460 x 565mm
	13.9" x 12.6" x 22.2"	18.1" x 15.7" x 22.2"	21.0" x 18.1" x 22.2"
Weight	160 kg	200 kg	240 kg
	352 lbs.	440 lbs.	528 lbs.
Color	Grey White		
Board Size (Minimum L x W)	50 x 50 mm	50 x 50 mm	50 x 50 mm
	1.97" x 1.97"	1.97" x 1.97"	1.97" x 1.97"
Board Size (Maximum L x W)	350 x 250 mm	455 x 330 mm	530 x 390 mm
	13.8" x 9.8"	17.9" x 12.99"	20.9" x 15.4"
Compressed Air Requirement	60 ~ 90 PSI (4 ~ 6 bar) 10 cfm		
Power Requirement	120 ~ 230 VAC 50/60 Hz		
<b>Features</b>			
Direction	Left to Right	<b>Optional:</b> Right to Left	
Pitch Adjustment	10, 20, 30, 40mm		
Control System	PLC		
Display	LED TFT Touch Screen Control Panel		
Interface Standard	SMEMA		
Buffer Capacity	Two Magazines		