

Alpha 1 Technologies

680S Terminal & Tab Inserter



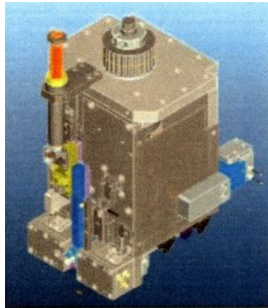
ZX-680S Terminal and Tab Inserter

The ZX-680S is a high speed auto-insertion machine for roll form metal terminals and tabs. With up to three different insertion heads, it provides a combination of speed and efficiency for your terminal assembly needs. The ZX-680S can be equipped with optional **force monitoring** system.

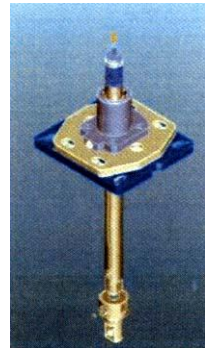
Machine Features and Options



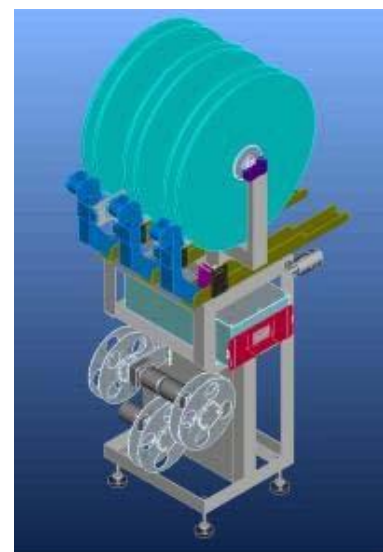
The 680S inserts a wide variety of terminals, fuse holders, tabs, connectors, pins and more.



Servo and Cam driven Head and Anvil assemblies provide speed and reliability.



Motor driven feeder station with auto feed and waste collection.



Series 680S Terminal and Tab Inserter	
Overall dimension (L x W x H)	2,250 x 1,300 x 1,600mm (88.58" x 51.18" x 62.99")
Weight	1,000kg (2,200 lbs)
Air Pressure	6 kg/cm ² (85.34 PSI)
Air Consumption	0.656 M ³ /min (21.19 CFM)
Power	220VAC, single-phase 60HZ, 2.4KW
Noise	80dB
Operating Environment	5-40°C (41-104°F)
Humidity	10 to 90% RH (No Condensation)
Worktable Travel Dimensions	X 680mm, Y 370mm (X 26.77", Y 14.57") - Rotary Table
	X 580mm, Y 370mm (X 22.83", Y 14.57") - Non-Rotary Table
Maximum Board Size	500 X 350mm (19.68" x 13.78")
Insertion speed	8400-12000 cph
Insertion Angle	0, 90, 180, 270 Degrees
PCB Transfer Time	4 Seconds
Components Inserted	8-12mm long square and round steel pins
Number of Insertion Heads	3
Pattern Correction	Machine Vision System
Computer System	Intel Corei3 CPU Windows operation system
Computer Display	17 inch color LCD
Component Feed	Wire Roll Feeder
Bar Code Reader	Optional
Force Monitoring System	Optional